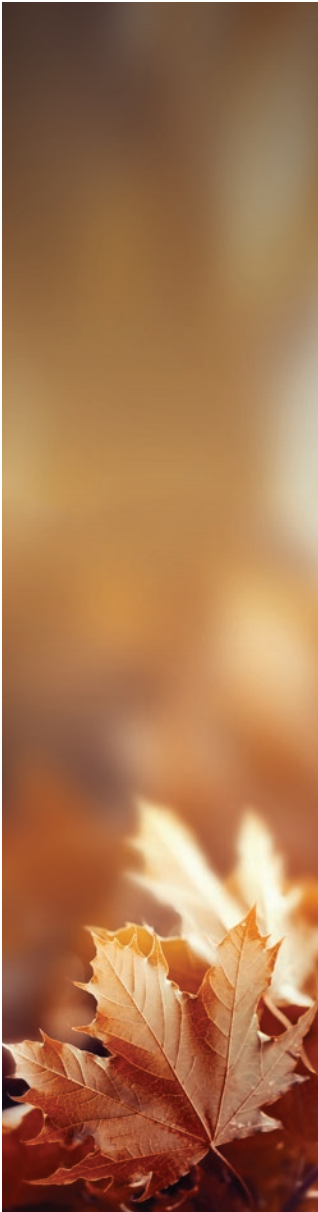


Valcourt

The Fireplace of Your Dreams

Mass fireplaces



www.valcourtinc.com

Mass fireplaces

FOR PASSION

Our lifestyle is defined by who we are.

Our home is where we lay the foundations of our lifestyle. Harmony, warmth and peace are generated by who we are, and is reflected in the character of our home. Our personalities fill our living space as we appreciate simple comforts in our daily life. In colder climates, a wood burning fireplace will provide harmony with nature, while warming the family with a special sense of peace and security that only comes from wood heat.

Soapstone fireplaces have no match in creating character and their unique, exclusive style will make your home a special showplace.

Simplify: One central beautiful Soapstone fireplace will likely heat your entire home comfortably.

Enjoy: Imagine the smell of warm bread coming from the built-in soapstone oven, which is always warm, allowing you to cook anytime including a late night pizza.

Focus: Your Valcourt Soapstone fireplace not only become the centerpiece of your home, it also brings a destination for your family to find warmth, comfort and peace.

Peace: A Soapstone fireplace heats your home quietly. No noisy furnace sound or air blowing from vents. Within this quiet home, imagine enjoying your favorite music while watching a beautiful winter snowfall with no other distraction!

Get closer to nature: Valcourt's Soapstone fireplaces are made of 100% natural Soapstones. This local product is quarried in Quebec, Canada. Unlike other soapstone, our product does not come from overseas. You might say that the Soapstone is *grounding us to the earth*.

We at Valcourt are always striving to provide a green tomorrow for our children: Soapstone fireplaces have an exceptional capacity to burn renewable wood cleanly while absorbing the maximum heat from the fire. The heat will then evenly radiate into your home. Each single fire will heat your home for hours after the fire is out. Unlike using fossil fuels, the soapstone wood burning fireplace uses a renewable resource in a very efficient manner, thus reducing the homeowner's carbon footprint.



Valcourt

Contents



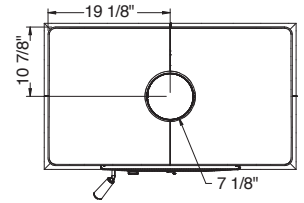
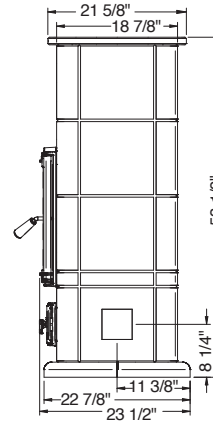
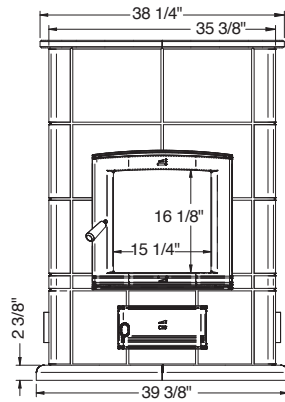
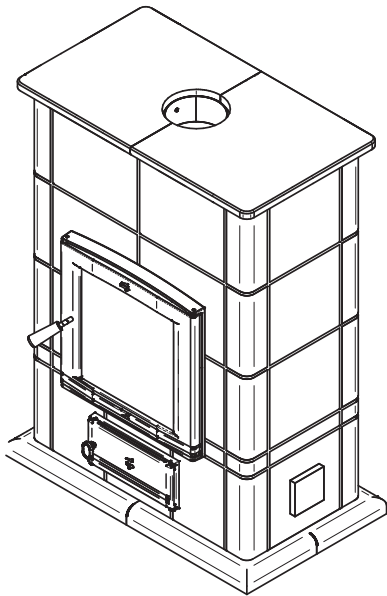
FM400	4
FM1000FO	6
FM1200FO	8
FM1500FO	10
Technical data	12
Warranty	13
Fireplace tool sets	14



FM400
Mass fireplace

The FM400 soapstone fireplace is the smallest of the line, but remains unparalleled in its ability to create a warm atmosphere. Its exclusive styling will give your home the unique character it deserves. Soapstone fireplaces burn wood exceptionally clean and with a high efficiency. This fireplace will spread heat slowly and evenly throughout your home for several hours after the fire is out.

FM400



Features

- Recommended heating area (sq. ft.): < 700
- Easy-to-access ash drawer
- Minimum burn rate: 10 lb/h
- Maximum combustion time: 2 h
- Heat diffusion: up to 18 hours
- Recommended chimney diameter: 6"

Technical data contained in this catalogue are for reference only. Any installation must be done according to the data and drawings detailed in the owner's manual.

This appliance is
**EPA
exempt**

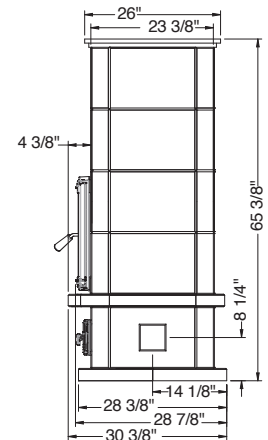
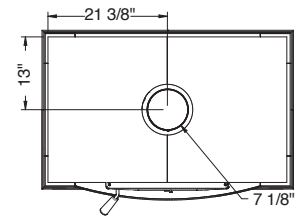
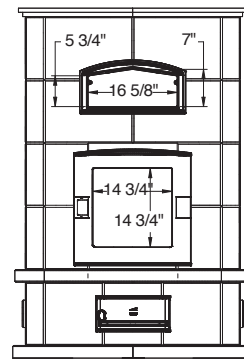
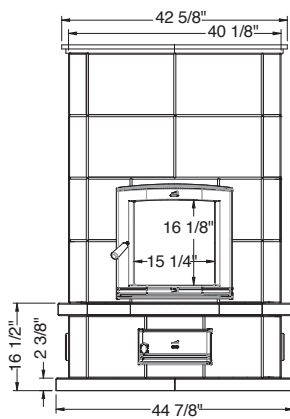
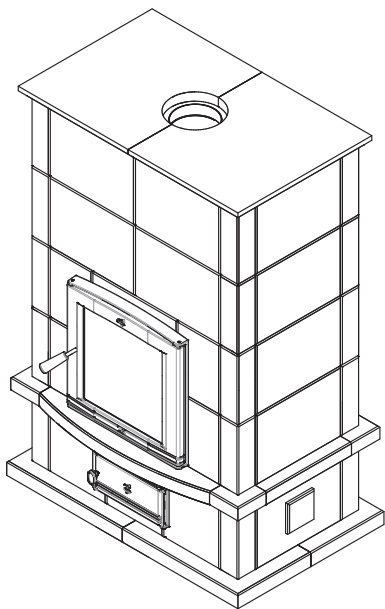


FM1000FO
Mass fireplace with oven

The FM1000FO fireplace will bring new elegance to your home. Its soapstone structure combines heating efficiency with an environmentally-friendly design. If you enjoy cooking, its integrated oven will be an indispensable ally.

Valcourt's FM1000FO soapstone fireplace has a sturdy design and unique styling to match your room's décor. In addition to its high efficiency output, the soapstone releases a unique warmth, surrounding you with calm and serenity.

FM1000FO



Features

- Recommended heating area (sq. ft.): < 1,200
- Easy-to-access ash drawer
- Minimum burn rate: 12 lb/h
- Maximum combustion time: 2 h 30
- Heat diffusion: up to 20 hours
- Recommended chimney diameter: 6"

Technical data contained in this catalogue are for reference only. Any installation must be done according to the data and drawings detailed in the owner's manual.

This appliance is
EPA
exempt



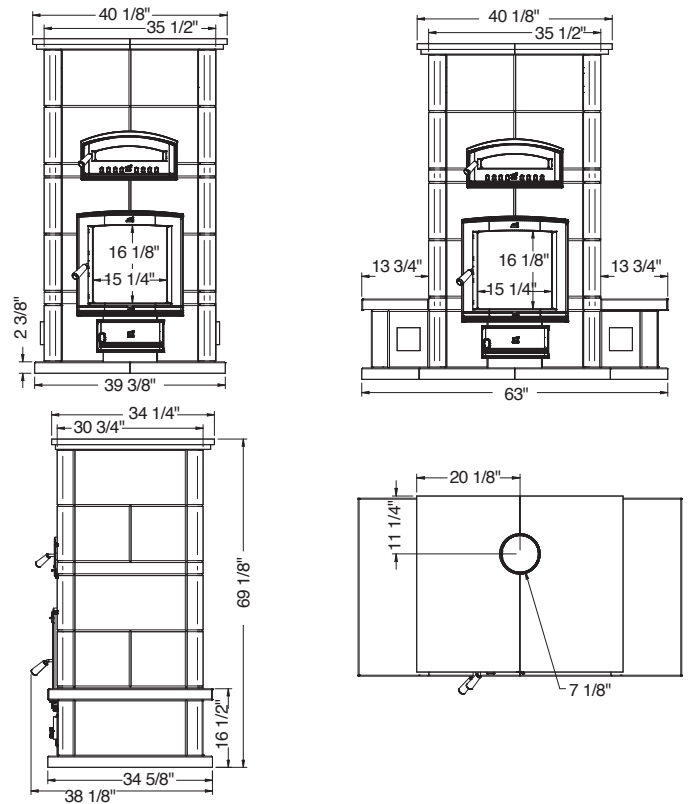
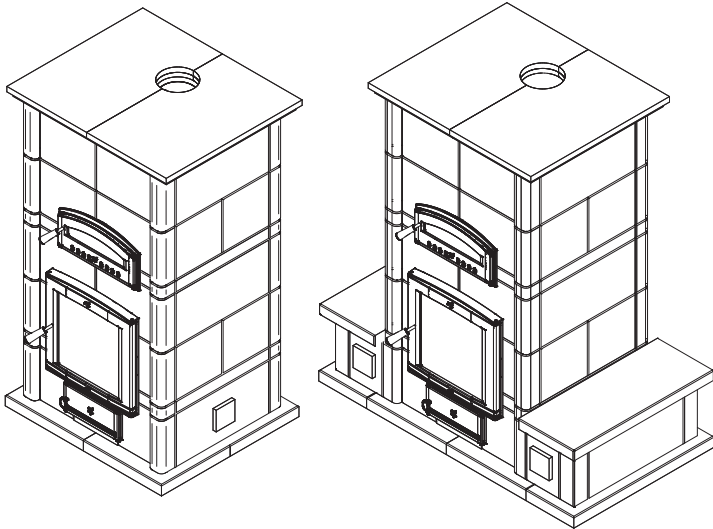
FM1200FO
Mass fireplace with oven



FM1200FOB
Mass fireplace with oven
and benches on both sides

With its modern and refined style, the FM1200FO fireplace will draw attention. Its soapstone design spreads heat through slow radiation, providing a sensation of enveloping warmth and unique comfort. You can say goodbye to the winter chills. What better way to relieve the day's stress than to take a load off beside your warm fireplace?

FM1200FO



Features

Recommended heating area (sq. ft.): < 1,400
 Easy-to-access ash drawer
 Minimum burn rate: 12 lb/h
 Maximum combustion time: 2 h 30
 Heat diffusion: up to 24 hours
 Recommended chimney diameter: 6"

Available models

FM1200FO - with oven
 FM1200FOB - with oven and benches on both sides

Technical data contained in this catalogue are for reference only. Any installation must be done according to the data and drawings detailed in the owner's manual.

This appliance is
EPA
 exempt



FM1500FO
Mass fireplace with oven



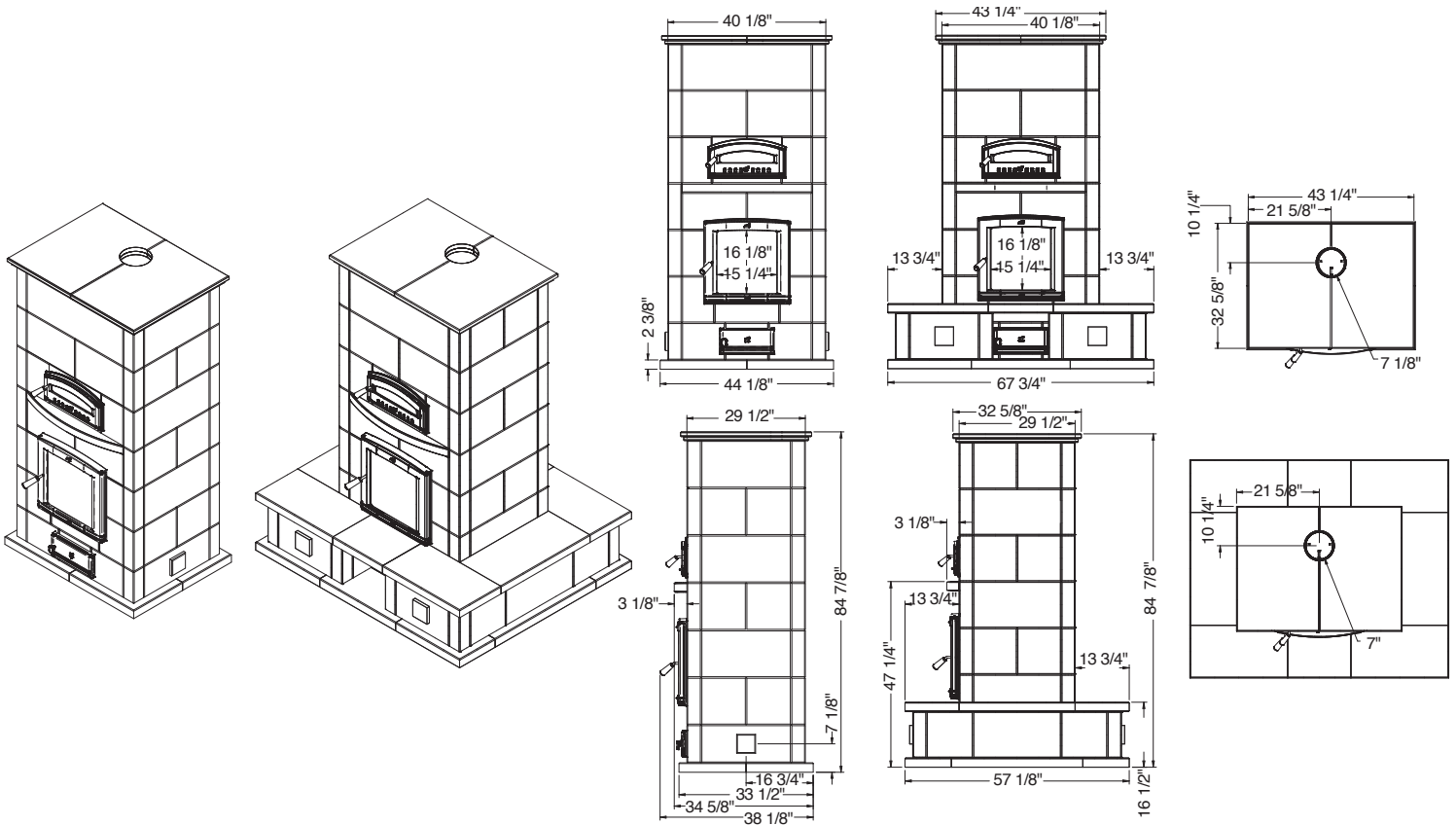
FM1500FOB
Mass fireplace with oven
and benches on both sides



FM1500FOB4
Mass fireplace with oven
and benches on four sides

The classy and majestic FM1500FO fireplace is unparalleled in its ability to warm body and spirit. Its 4 benches and integrated oven are perfect for hosting family and friends. The soapstone design conducts and holds in heat, while its magnificent pearl-grey stones will match any decor.

FM1500FO



Features

Recommended heating area (sq. ft.): < 1,700
 Easy-to-access ash drawer
 Minimum burn rate: 13.3 lb/h
 Maximum combustion time: 3 h
 Heat diffusion: up to 24 hours
 Recommended chimney diameter: 7"

Available models

FM1500FO - with oven
 FM1500FOB - with oven and benches on both side
 FM1500FOB4 - with oven and benches on four sides

Technical data contained in this catalogue are for reference only. Any installation must be done according to the data and drawings detailed in the owner's manual.

This appliance is
**EPA
 exempt**

Technical data



	FM400	FM1000FO	FM1200FO	FM1500FO
Width (without benches)	39 3/8"	44 7/8"	40 1/8"	43 1/4"
Depth (without benches)	23 1/2"	30 3/8"	38 1/8"	38 1/8"
Height	53 1/8"	65 3/8"	69 1/8"	84 7/8"
Weight	2800 lb	4000 lb	4500 to 6000 lb *	7000 to 9500 lb *
Recommended chimney diameter	6"	6"	6"	7"
Firebox dimensions (Width)	16"	17 1/2"	11 3/4"	16 3/4"
Firebox dimensions (Depth)	12"	14 1/4"	18 7/8"	19 5/8"
Firebox dimensions (Height)	20"	18 7/8"	17 1/8"	21 1/4"
Firebox volume	2 cu. ft.	2.8 cu. ft.	2.8 cu. ft.	4.3 cu. ft.
Log length	16"	16"	16"	18"
Glass surface (Width x Height)	15 1/4" x 16 1/8"	15 1/4" x 16 1/8"	15 1/4" x 16 1/8"	15 1/4" x 16 1/8"
Ash drawer	Standard	Standard	Standard	Standard
Oven	N/A	Standard	Standard	Standard
Benches (2 sides)	N/A	N/A	Optional	Optional
Benches (4 sides)	N/A	N/A	N/A	Optional

* Depends on options installed.

Technical data contained in this catalogue are for reference only. Any installation must be done according to the data and drawings detailed in the owner's manual. Safety tested and verified according to USA and Canada Standards by an accredited laboratory.



Valcourt Limited Lifetime Warranty on Robax Ceramic Glass

The VALCOURT-SCHOTT ROBAX system is one of the highest quality glass and heater product combination on the market. This allows VALCOURT to offer a Limited Lifetime Warranty on Robax ceramic glass for all VALCOURT appliances.

Conducted consumer studies identify that people want an unobstructed view of the fire, but without compromising safety. The glass “shield” is seen as the needed protection from the fire’s unpredictable aspects. VALCOURT chose the SCHOTT ROBAX solution delivering all of the benefits that a consumer wants out of a fire but without the risks associated to it.

Because the way the entire system works together (SCHOTT ROBAX ceramic glass and VALCOURT technology), it is the most efficient glass solution available in the market given its high IR transmission values and its high temperature resistance. A high IR transmission means that the heat produced inside the fire box is transferred through the glass more efficiently. The VALCOURT-SCHOTT ROBAX ceramic glass can withstand the highest temperatures of any glass on the market.

For more details go to: www.valcourtinc.com

Warranty



Limited Lifetime

DESCRIPTION	PARTS
•Welds of combustion chamber	LIFETIME
•Ceramic glass	LIFETIME
•Plating	LIFETIME

Fireplace tool sets



AC02628

NORDIK

New

Contains four accessories: poker, broom, shovel and tongs. Its wooden base and steel structure gives it an industrial look, perfect for contemporary or rustic spaces.

Support height:
21 7/8" (53 cm)
Dimensions of base:
9 1/2" (24 cm) x 4 3/4" (12 cm)

Made in France.



AC02629

PETALE

New

Contains four accessories: poker, broom, shovel and tongs. A nice option for those who want to camouflage tools for a more decorative look.

Height:
20" (51 cm)
Diameter:
7 1/2" (19 cm)

Made in France.



AC02630

FOREST

New

Contains four accessories: poker, broom, shovel and tongs. A beautiful addition to your rustic decor, both for the cottage and at home, thanks to its forest relief.

Height:
20" (51 cm)
Diameter:
7 1/2" (19 cm)

Made in France.



AC02631

SPEKTRA

New

Contains four accessories: poker, broom, shovel and tongs. You will appreciate its futuristic look for a unique atmosphere.

Height:
20" (51 cm)
Diameter:
7 1/2" (19 cm)

Made in France.



AC02620

DUPLEX



AC02621

INEO



AC02622

PAPYRUS



AC02350

EQUISS

Contains four instruments:
poker, broom, shovel and clamp.
The clean lines and combination
of steel and wood construction
make a strong contemporary
design statement.

Height of accessories:
19 1/2" (50 cm)

Made in France.

Contains four instruments:
poker, broom, shovel and clamp.
The clean lines and simplicity
make a strong contemporary
design statement.

Height of accessories:
19 1/2" (50 cm)

Made in France.

Contains four instruments:
poker, broom, shovel and clamp.
The dramatic use of steel makes
a strong contemporary design
statement.

Height of accessories:
19 1/2" (50 cm)
Dimensions of base:
7 1/2" (19 cm)

Made in France.

Made of high quality steel. Its
integrated handles make handling
easier. Two identical parts that
intersect easily. Assembly and
disassembly in seconds for
compact storage.

Height: 15 1/4" (38 cm)
Length: 24 1/4" (61 cm)
Depth: 13" (33 cm)
Weight: 28 1/2 lb (13 kg)

Made in Canada.

Valcourt
The Fireplace of Your Dreams

www.valcourtinc.com

PUB004A

