

# LX

MULTI-SIDED SERIES



EXPERIENCE THE  
NEW V-CLASS BURNER.



Perfecting Warmth  
Since 1890™

# THE SCIENCE OF WARMTH™

Since 1890, we've pioneered and perfected radiant heat technology that generates constant, comfortable warmth within your home.



ON FRONT:  
LX1 PIER 2100PK  
DRIFTWOOD 2100DWK  
BLACK FLUTED LINER 2200FBP  
HEATSHIFT™ WITH 38" PLENUM LDK4





### RADIANT HEAT

We put radiant heat into every fire, the most comfortable warmth we know. You can feel it.

### ENHANCED FLAME

Our new V-Class burners create realistic, soothing flames and ambient glowing embers that radiate heat better than ever.

### HEATSHIFT™

Select the finish you want, knowing that your artwork, TV and construction materials stay cooler and protected.

### CERAMIC GLASS

Durable and robust ceramic glass improves radiant performance.

### REALISTIC LOGS

High definition, low mass fiber ceramic logs heat up and glow quickly, radiating warmth.

### CONVECTIVE HEAT

Secondary heat exchanger naturally improve convective heat—without a fan. Heats up fast.

### ADJUSTABLE HEAT

New Valor 10 remote control adjusts flame for constant, even warmth without having to cycle the fire on and off.

### ALUMINIZED STEEL

Lightweight, high temperature aluminized steel firebox and heat exchanger deliver efficient warmth.

### SAFETY

Our fires are put through rigorous safety testing in our in-house CSA approved lab.

### EFFICIENCY

Radiant heat and zone heating technology are up to 30% more efficient than central forced air systems.

### SCREENS

Improved screen combines safety, style, performance and convenience, letting 12% more light and radiant heat through than conventional screens—brightening the fire.

The multi-sided series are the first heater-rated, efficient, multi-sided fireplaces.



LX1 PIER 2100PK  
BIRCH 2100BLK  
REFLECTIVE GLASS LINER 2100RGP  
HEATSHIFT™ WITH 38" PLENUM LDK4 (not shown)

## 1 MODEL

Select from three multi-sided styles. Consider the size and shape of your spaces when choosing your fireplace.

The radiant performance of the multi-dimensional design will heat any space—be it a living room, family room or great room.

The following measurements give you an idea of the viewable area when installed. See manual for installation dimensions.

### LX2 3-SIDED VIEWABLE AREA

— L 53"

■ D 14"

H 16½"

Creates a strong central point in your home, especially in a living or great room.







**LX2 CORNER LEFT OR RIGHT VIEWABLE AREA**

- L 49 $\frac{5}{8}$ " Great for asymmetrical living space
- D 14" or transition between two rooms.
- H 16 $\frac{1}{2}$ "

**LX1 3-SIDED PIER VIEWABLE AREA**

- L 36" Fits smaller rooms and
- D 18 $\frac{5}{8}$ " helps define open spaces.
- H 16 $\frac{1}{2}$ "





LX2 3-SIDED 2200K  
MURANO GLASS 2200DGM  
REFLECTIVE GLASS LINER 2200RGL  
HEATSHIFT™ WITH SIDE GRILLES LDK3 (not shown)  
OVERHEAD LIGHTING STANDARD (not shown)

## 2 FIRE BED

Select a fire bed that suits your decor and personal style.

Consider how the logs and other fuel beds appear when the fire is on and when it's off—for example, in the summer. Which firebed will you enjoy most?

**BIRCH LOGS** LX1 NEW!



**DRIFTWOOD** LX1 + LX2







**SPLITWOOD** LX2



**ROCK AND SHALE** LX1 + LX2



**DECORATIVE GLASS** LX2



**MURANO GLASS** LX1 + LX2





LX2 CORNER RIGHT 2200RK  
ROCK AND SHALE 1714RSS  
REFLECTIVE GLASS LINER 2200RGL + 2200RGP  
HEATSHIFT™ WITH 38" PLENUM (not shown) LDK4



### FLUTED BLACK

Provides a graphic contrast, defining the lighter fuel bed and fire.

3

## LINER

Selecting a liner is an important choice, particularly in the LX2 fireplaces where the liner features prominently.

Visit a Valor dealer to see a sample in person.







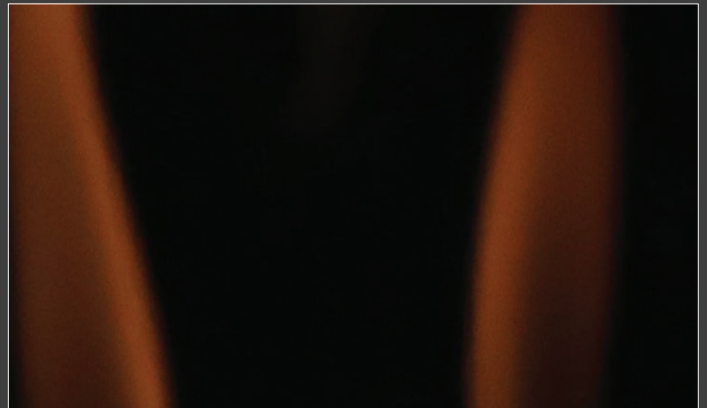
### LIMESTONE

Lightens the fireplace and softly blends with the fuel bed and fire.



### REFLECTIVE BLACK GLASS

High definition glass contrasts and enhances the appearance of the firebed and flames.





## ZONE HEATING

Looking to heat other areas in your home? HeatShift's optional Remote Blower helps manage your heat effectively by distributing warmth to other areas of your home—such as bedrooms, hallways or utility rooms.



4

# HEAT SHIFT™

### KEEPS WALL COOLER

Pioneered by Valor, our unique HeatShift System naturally circulates up to 125 cubic feet of convective heat per minute through hidden ducts and back into the room—avoiding surface areas above the fireplace.

So valued artwork, a TV or construction materials stay cooler—ideal for wood cladding.

### IMPROVES PERFORMANCE

Harnessing convective warmth, up to 60% of fireplace heat rises and flows through HeatShift and back into the room. The remaining radiant heat emanates from the fireplace, keeping you warm.

### DESIGN FLEXIBILITY

- Run standard finishing materials right up to the fireplace surround, including drywall, wood, tile, and stone.
- Install mantels lower than usual at a one-to-one ratio of depth to height from the fireplace surround when using HeatShift.
- Several flexible options for construction and design

### CONSTRUCTION MADE EASY

Unlike many competitor products, HeatShift is built and designed in North America for North American homes, meeting building code requirements.

### NO ELECTRICITY REQUIRED

- Heatshift circulates heat naturally using gravity and Valor product ingenuity—no need for a fan or electricity. No power—no problem.
- Valor fully ducts HeatShift for clean, safe air quality.

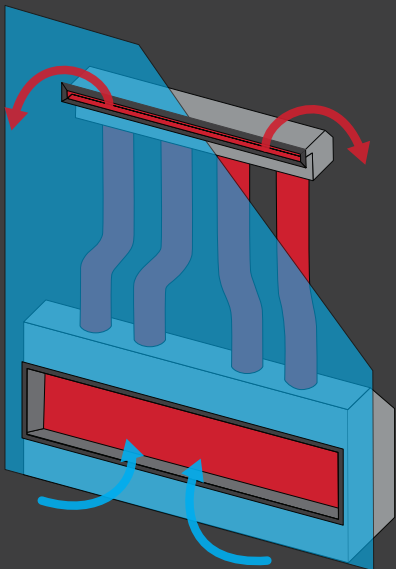


LX1 PIER 2100PK  
DRIFTWOOD 2100DWK  
BLACK FLUTED LINER 2200FBP  
HEATSHIFT CANOPY 2100HSC

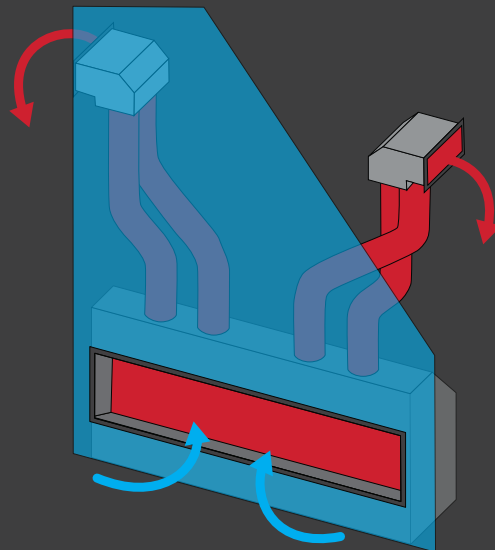


The LX1's HeatShift canopy (shown here) allows you to build a pony wall that separates two rooms without blocking sight lines—and keeps surface areas cooler. To find out more, visit [valorfireplaces.com](http://valorfireplaces.com)

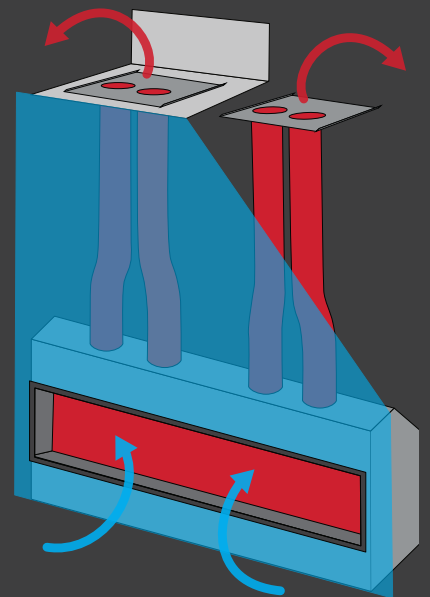
#### FRONT OUTLET



#### SIDE OUTLETS



#### TOP OUTLET



## SMARTPHONE COMPATIBLE

Want to control your fireplace with your smart device?

Our Valor 10 app will be available this year for download and is compatible with the Valor 10 Remote control.

Accurately knows the current temperature of your fireplace.

Child Proof your remote for safety and ease.

Set the temperature for specific times of the day.

Set the timer to turn the fireplace off up to 9 hours ahead.

Turn your fireplace lights on and off.

Program your fireplace to turn on and off when you want at the temperature you want.



# 5 REMOTE CONTROL

## VALOR 10 REMOTE CONTROL NEW

Standard throughout the LX Series, Valor's new interactive remote control has up-to-the-moment information on the state of your fireplace, such as temperature, and other customizable settings.

## VALOR 10 APP COMING SOON

The remote pairs with Valor's upcoming Valor 10 App so you can control your LX fireplace with your smartphone. Available later this year.



## LX2 STEEL FRAMING KIT




## NEW LX1 STEEL FRAMING KIT



# 6 FRAMING

## STEEL FRAMING KIT

When you decide to install your custom LX model, consider our optional steel framing kit. Easy to set up, the kits take the guesswork out of framing your new fireplace—builders, architects and designers appreciate them too.



LX2 CORNER LEFT 2200LK  
DRIFTWOOD 1705DWK  
REFLECTIVE GLASS LINER 2200RGL + 2200RGP  
LOWER SHELF, BLACK GRANITE 2200LSBC  
HEATSHIFT™ WITH 38" PLENUM LDK4 (not shown)

## 6 SHELVING

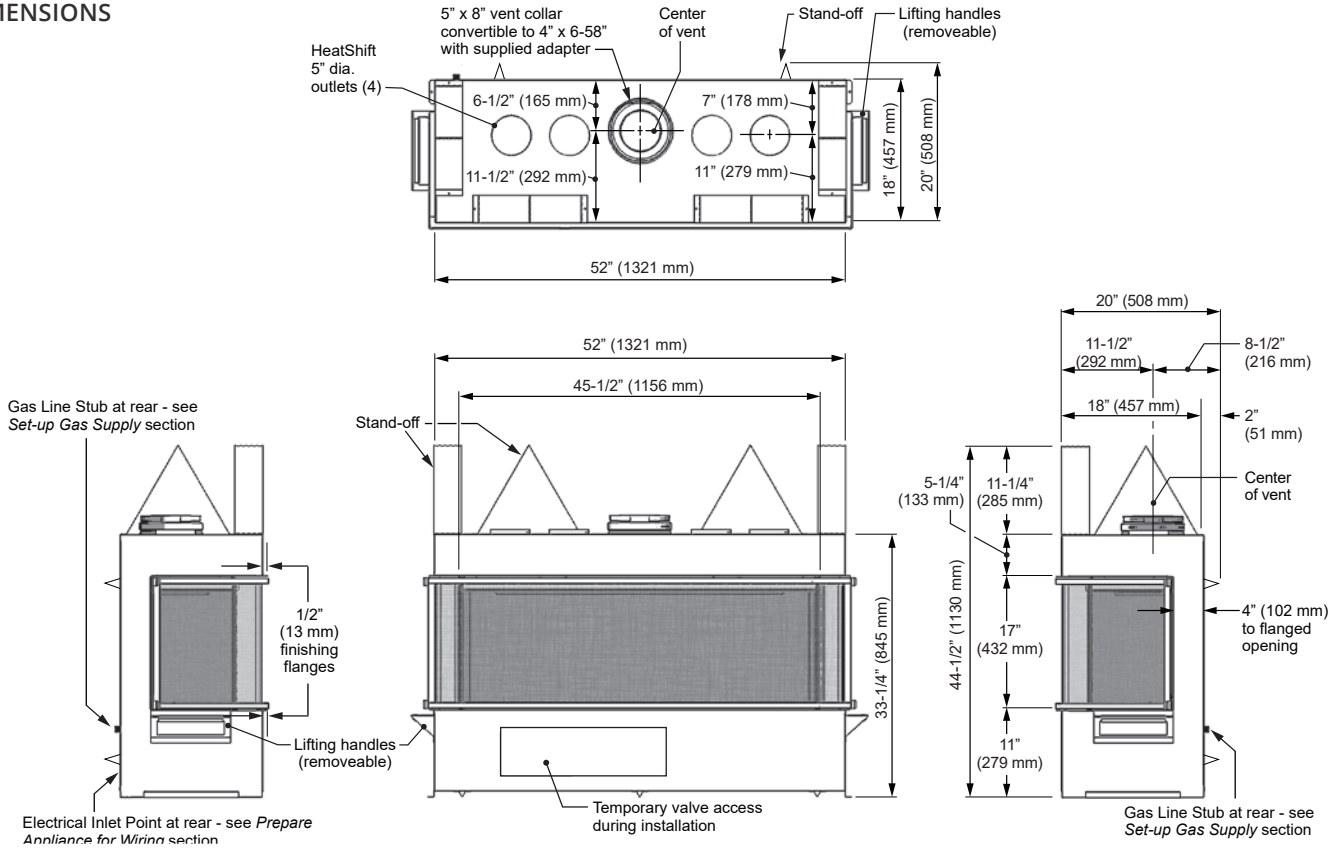
**BLACK GRANITE SHELVES**—LX2 ONLY

Not sure how to finish your new fireplace? We offer competitively priced upper and lower black granite shelving—a high-end, custom look that's easy and affordable to achieve. The shelving works with the framing kit, and is also easy to install on its own. Sold individually.



# LX2 3-SIDED

## DIMENSIONS



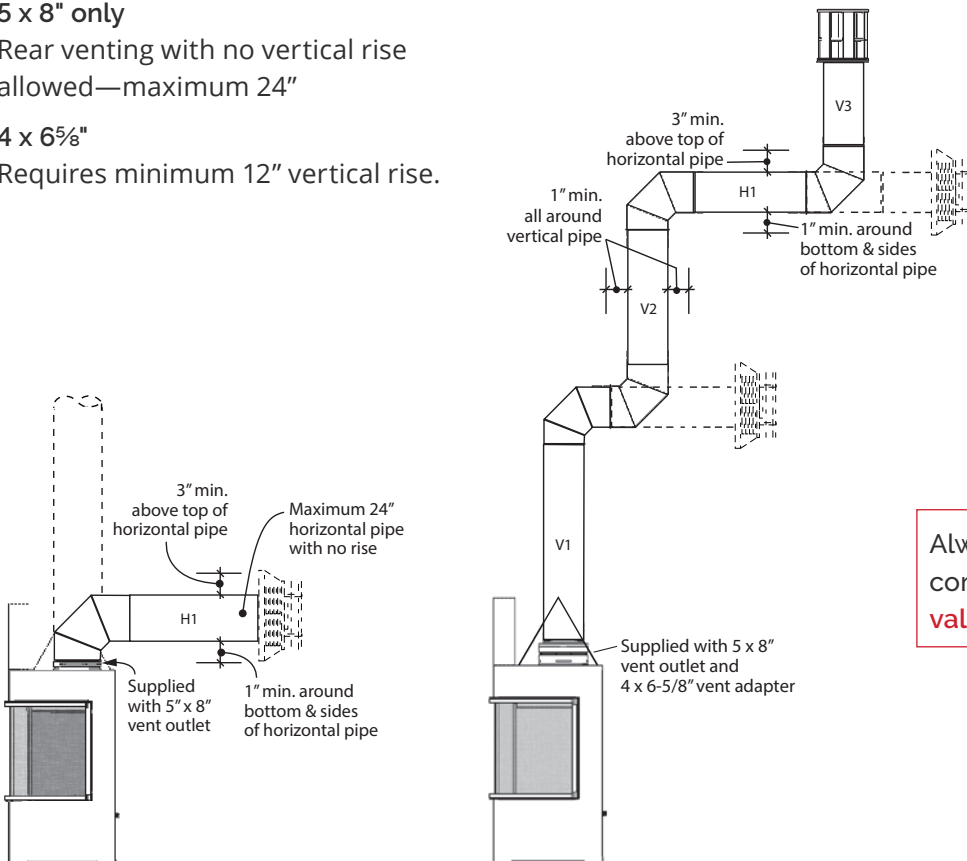
## VENTING

### 5 x 8" only

Rear venting with no vertical rise allowed—maximum 24"

### 4 x 6 5/8"

Requires minimum 12" vertical rise.



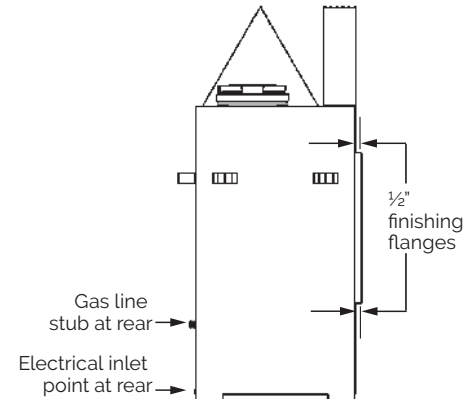
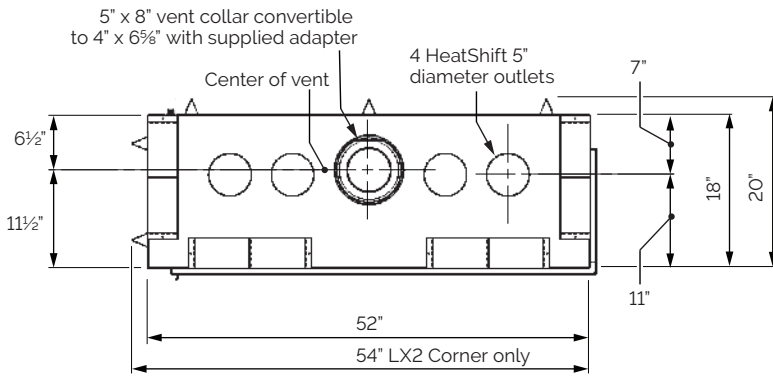
## COMBUSTIBLE FRAMING

H	W	D
44 1/2"	54" max	20" min

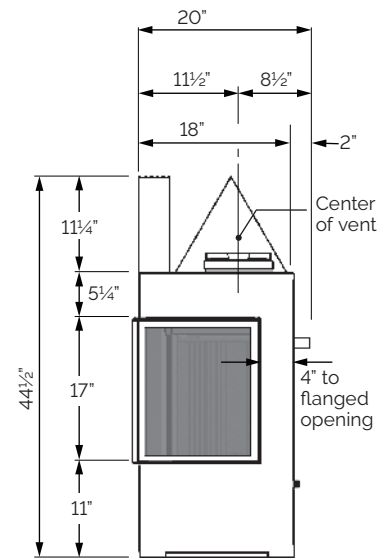
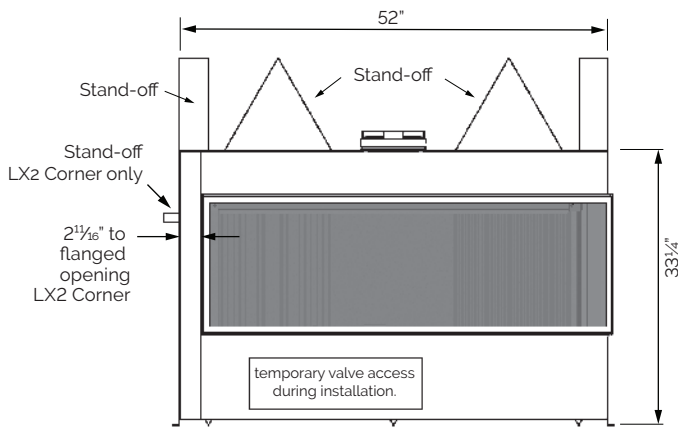
Always refer to the manual for complete installation instructions.  
[valorfirereplaces.com/manuals](http://valorfirereplaces.com/manuals)

# LX2 CORNER

## DIMENSIONS



LX2 Corner Right shown. Mirror image for Corner Left.



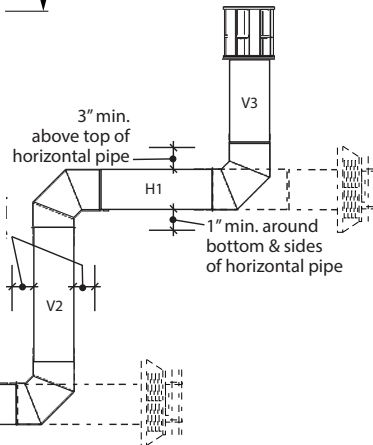
## VENTING

### 5 x 8" only

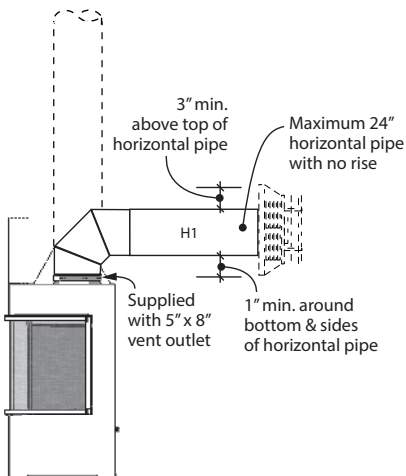
Rear venting with no vertical rise allowed—maximum 24"

### 4 x 6 $\frac{5}{8}$ "

Requires minimum 12" vertical rise.



COMBUSTIBLE FRAMING		
H	W	D
44 $\frac{1}{2}$ "	54" max	20" min



Supplied with 5 x 8" vent outlet and 4 x 6-5/8" vent adapter

Always refer to the manual for complete installation instructions.  
[valorfireplaces.com/manuals](http://valorfireplaces.com/manuals)

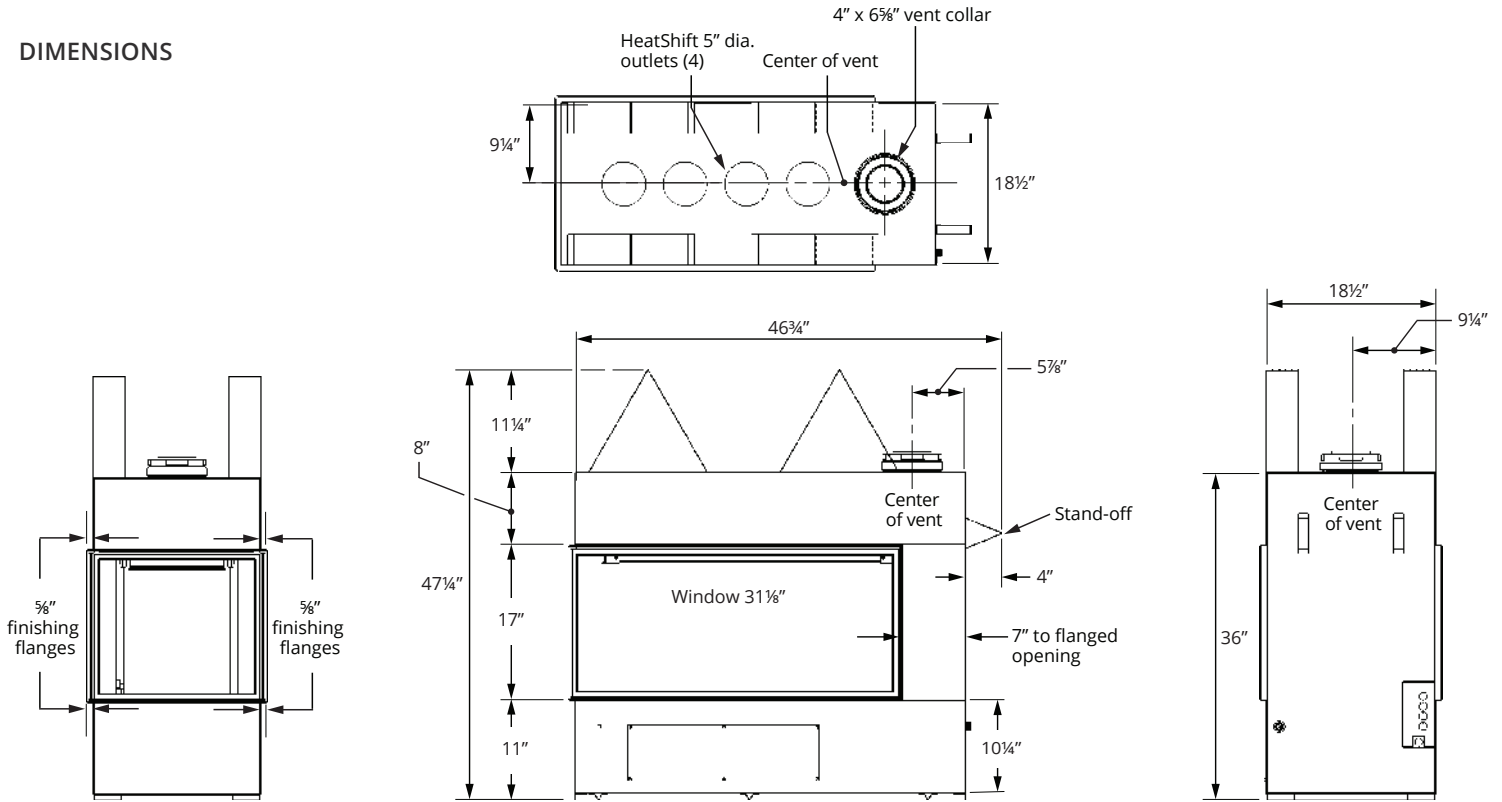


LX2 CORNER RIGHT 2200RK  
SPLITWOOD 1700SWK  
REFLECTIVE GLASS LINER 2200RGL + 220RGP  
HEATSHIFT™ WITH SIDE MOUNTED GRILLES LDK3



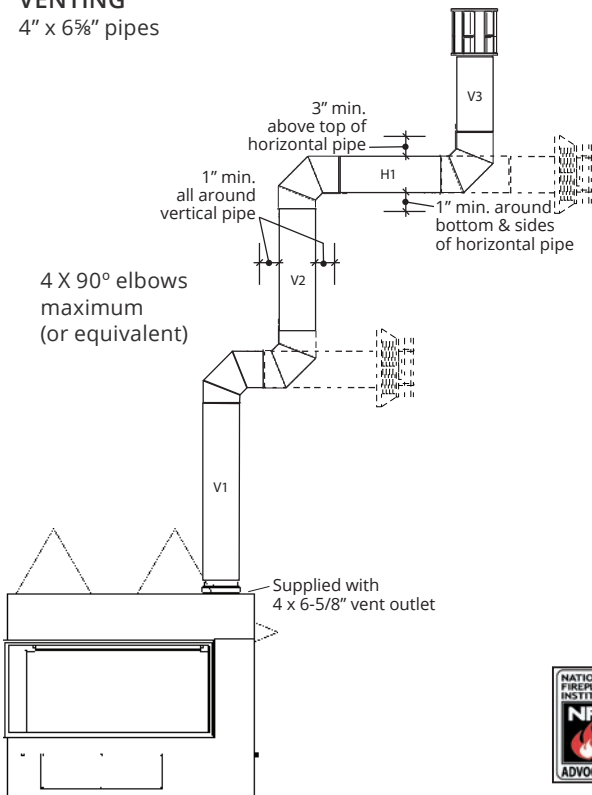
# LX1

## DIMENSIONS



## VENTING

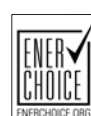
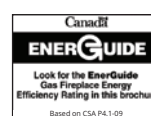
4" x 6 5/8" pipes



Always refer to the manual for complete installation instructions.  
[valorfireplaces.com/manuals](http://valorfireplaces.com/manuals)

## LX FLAME ADJUSTMENT TIP:

Adjusting the flame is easier than ever with quick access to the adjustable air shutter in front of the firebox behind the front panel. No need to remove the glass or fuel bed!





# LX COMPONENTS

1 DIRECT VENT ENGINES		LX2 3-SIDED	LX2 CORNER LEFT	LX2 CORNER RIGHT	LX1 PIER
Natural Gas		2200KN	2200LKN	2200RKN	2100PKN
Propane		2200KP	2200LKP	2200RKP	2100PKP

2 FUEL BEDS					
Birch logs	2100BLK	to come	to come	to come	✓
Driftwood	1705DWK	✓	✓	✓	2100DWK
Rock and Shale	1714RSS	✓	✓	✓	2100RSS
Murano Glass	2200DGM	✓	✓	✓	2100DGM
Splitwood	1700SWK	✓	✓	✓	
Decorative Glass	2200DGS	✓	✓	✓	

3 LINERS				
Fluted Black		2200FBL	2200FBL + 2200FBP	2200FBP
Reflective Glass		2200RGL	2200RGL + 2200RGP	2100RGP
Limestone		2200LML	2200LML + 2200LMP	2200LMP

4 HEATSHIFT™					
Front mounted 48" plenum	LDK1	✓	✓	✓	
Front mounted 38" plenum	LDK4	✓	✓	✓	✓
Side mounted grille, two	LDK3	✓	✓	✓	✓
Top mounted outlets	LDK7	✓	✓	✓	✓
Heat canopy, pony wall	2100HSC				✓

5 REMOTE CONTROL					
Valor 10 <b>NEW</b>	GV60SYMAX	✓	✓	✓	✓
Remote Battery and Wall Switch	RBWSK	✓	✓	✓	✓

6 OPTIONAL					
Steel Framing Kit	2200SFK	✓	✓	✓	2100SFK
Lower Shelf, Black Granite	2200LSB	✓	2200LSBC	2200LSBC	
Upper Shelf, Black Granite	2200USB	✓	2200USBC	2200USBC	
Decorative Rock for Driftwood	1506DRK	✓	✓	✓	✓
Remote Blower, zone heating	1270RBK	✓	✓	✓	✓

## EFFICIENCY RATINGS

Model	Fuel	Max. Input	Min. Input	Max. Output without fan*	EnerGuide Rating*
2200	NG	36,000	19,000	26,028	
2200	LP	36,000	21,000	26,028	67.4%
2100	NG/LP	25,000	14,000	17,573	66.6%

\* EnerGuide Ratings and Outputs have been determined without a fan/blower, using the CSA P4.1-15 test method.

Certified to ANSI 21.88-2017/ CSA 2.33-2017 Vented Gas Fireplace Heater American National Standard CGA - 2.17-91 Gas Fired Appliances for use at high altitudes.

## About our efficiency ratings

While the North American fireplace industry is largely self-regulated, at Valor we use recognized Canadian and US government testing methods to determine our energy efficiencies, and ensure our products perform in your home as rated.

Visit [valorfireplaces.com/efficiency](http://valorfireplaces.com/efficiency) for more information.

LX2 3-SIDED 2200K  
DECORATIVE GLASS 2200DGS  
REFLECTIVE GLASS LINER 2200RGL  
SIDE MOUNTED GRILLES LDK3



**valor**  
Perfecting Warmth  
Since 1890™